



Genie™ Nano-CL Cameras

Smaller, faster, stronger, cheaper.

Compact Camera Link cameras with unprecedented speed and uncompromised image quality.

Introducing Genie Nano-CL, a Camera Link CMOS area scan camera that redefines **low cost** performance. Genie Nano-CL starts with industry leading image CMOS sensors from 5.1 to 25 megapixel resolution and adds proven Camera Link technology for **breakthrough speed**, a robust build quality for wide operating temperature, and an unmatched feature set—all at an **incredible price**.



Key Features

- Industry's latest CMOS image sensors
- Simplified set-up with field proven Sapera LT software featuring CamExpert
- Engineered to accommodate industrial environment with a ruggedized screw mount SDR connectors
- GenICam GenCP compliant

Programmability

- Higher frame rates achievable in partial scan mode
- Global electronic shutter with exposure control
- Multi-ROI feature

Reliability

- Robust all-metal body
- 3 year warranty
- Trigger to Image Reliability (T2IR) framework improves the reliability of your inspection system and protects you from data loss

Typical Applications

- Semiconductor wafer inspection
 - Surface and bump inspection
- Electronics manufacturing
 - 3D solder paste inspection
 - Package and bump inspection
 - Automated Optical Inspection (AOI)
- Solar panel inspection
- Aerial Imaging
- General machine vision

Regulatory Compliance

- CE, FCC, RoHS, GenICam, IP30, Camera Link 2.01

GENIE NANO-CL INDIVIDUAL MODEL SPECIFICATIONS

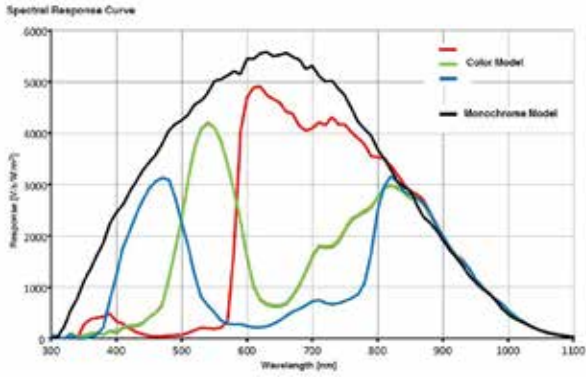
	Active Resolution	Sensor Model	Frame Rate**	Pixel Size	Dynamic Range	Max. Image Circle	Data Format	Part Number
●● CL-M2450	2448 x 2048	Sony IMX250 (5.1M)	141 fps	3.45 μm	56.4 dB	2/3" Optical Format	8 or 10-Bit Mono	G3-CM30-M2450
●●● CL-C2450	2448 x 2048	Sony IMX250 (5.1M)	141 fps	3.45 μm	56.4 dB	2/3" Optical Format	8 or 10-Bit Bayer	G3-CC30-C2450 G3-CC30-C2450IF (with IR cut-off filter)
●●● CL-M4060	4112 x 2176	Sony IMX255 (8.9M)	88 fps	3.45 μm	56.4 dB	1" Optical Format	8 or 10-Bit Mono	G3-CM30-M4060
●●● CL-C4060	4112 x 2176	Sony IMX255 (8.9M)	88 fps	3.45 μm	56.4 dB	1" Optical Format	8 or 10-Bit Bayer	G3-CC30-C4060 G3-CC30-C4060IF (with IR cut-off filter)
●●● CL-M4040	4112 x 3012	Sony IMX253 (12M)	64 fps	3.45 μm	56.4 dB	1.1" Optical Format	8 or 10-Bit Mono	G3-CM30-M4040
●●● CL-C4040	4112 x 3012	Sony IMX253 (12M)	64 fps	3.45 μm	56.4 dB	1.1" Optical Format	8 or 10-Bit Bayer	G3-CC30-C4040 G3-CC30-C4040IF (with IR cut-off filter)
●●● CL-M4090	4096 x 4096	On-Semi Python 16K (16M)	45 fps	4.5 μm	55.2 dB	APS-H Optical Format	8 or 10-Bit Mono	G3-CM10-M4095
●●● CL-M4090-NIR	4096 x 4096	On-Semi Python 16K (16M)	45 fps	4.5 μm	55.2 dB	APS-H Optical Format	8 or 10-Bit Mono	G3-CM12-M4095
●●● CL-C4090	4096 x 4096	On-Semi Python 16K (16M)	45 fps	4.5 μm	55.2 dB	APS-H Optical Format	8 or 10-Bit Bayer	G3-CC10-C4095
●●● CL-M5100	5120 x 5120	On-Semi Python 25K (25M)	30 fps	4.5 μm	55.2 dB	APS-H Optical Format	8 or 10-Bit Mono	G3-CM10-M5105
●●● CL-M5100-NIR	5120 x 5120	On-Semi Python 25K (25M)	30 fps	4.5 μm	55.2 dB	APS-H Optical Format	8 or 10-Bit Mono	G3-CM12-M5105
●●● CL-C5100	5120 x 5120	On-Semi Python 25K (25M)	30 fps	4.5 μm	55.2 dB	APS-H Optical Format	8 or 10-Bit Bayer	G3-CC10-C5105

** Using 10-tap @ 8-bit configuration

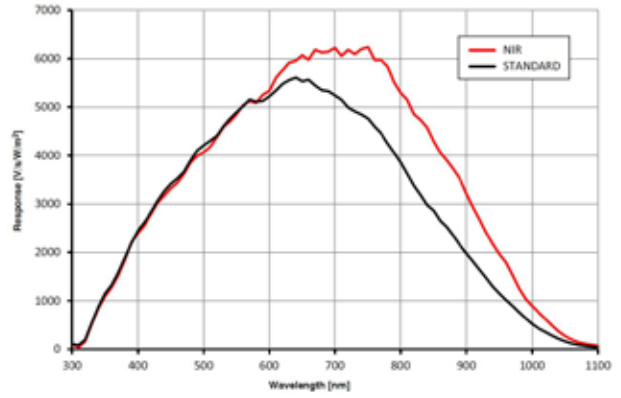
GENIE NANO-CL FAMILY SPECIFICATIONS (COMMON TO ALL MODELS)

GENIE NANO CL (Medium Casing)		GENIE NANO CL (XL Casing)
Data Output Transfer	Camera Link (Deca Mode) 10-taps @ 85 Mhz	
Exposure Control	Automatic, programmable, or via external trigger	
I/O Ports	2 opto-isolated inputs, 2 opto-isolated outputs, 2 Camera Link CC lines (Camera Control)	2 Camera Link CC lines (Camera Control)
Lens Mount	C-Mount available	M42
Size (L x H x W) (C-mount option)	44 mm x 44 mm x 21 mm (without bar adapter and connectors) 44 mm x 44 mm x 39 mm (with lens adapter and connectors)	30 mm x 59 mm x 59 mm (no lens adapter or connectors)
Mass	TBD	~163 g
Operating Temp	-20 to +60° C (housing temperature)	
Power Supply	+10 to +30 V or Power Camera Link (PoCL)	
Power Dissipation (model dependent)	TBD	6.5 W @ 24 Volt Aux.
Data Connector	SDR x 2	
Power and I/O Connector	SAMTEC TFM-105 type	
Camera Specification	Camera Link v2.1, GeniCam GenCP compliant	
Software Platform	Teledyne DALSA Sopera LT 8.0 for Windows, or 3rd Party GeniCam GenCP compliant SDK	

RESPONSIVITY GRAPHS



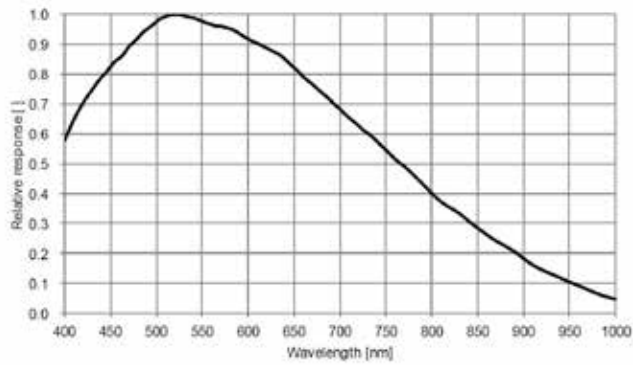
C4090 C5100



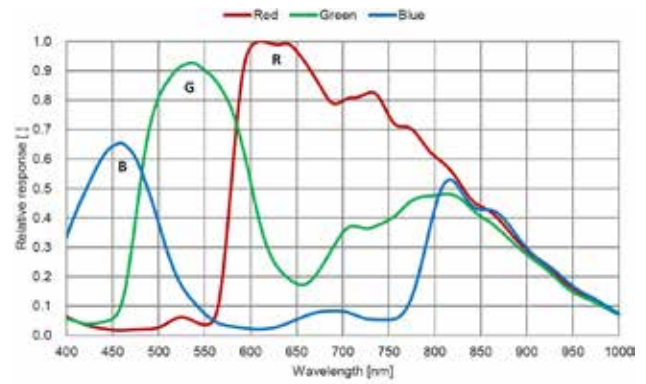
M4090 M5100

Spectral Sensitivity Characteristics

(Excludes lens characteristics and light source characteristics.)



M4060 M4040 M2450

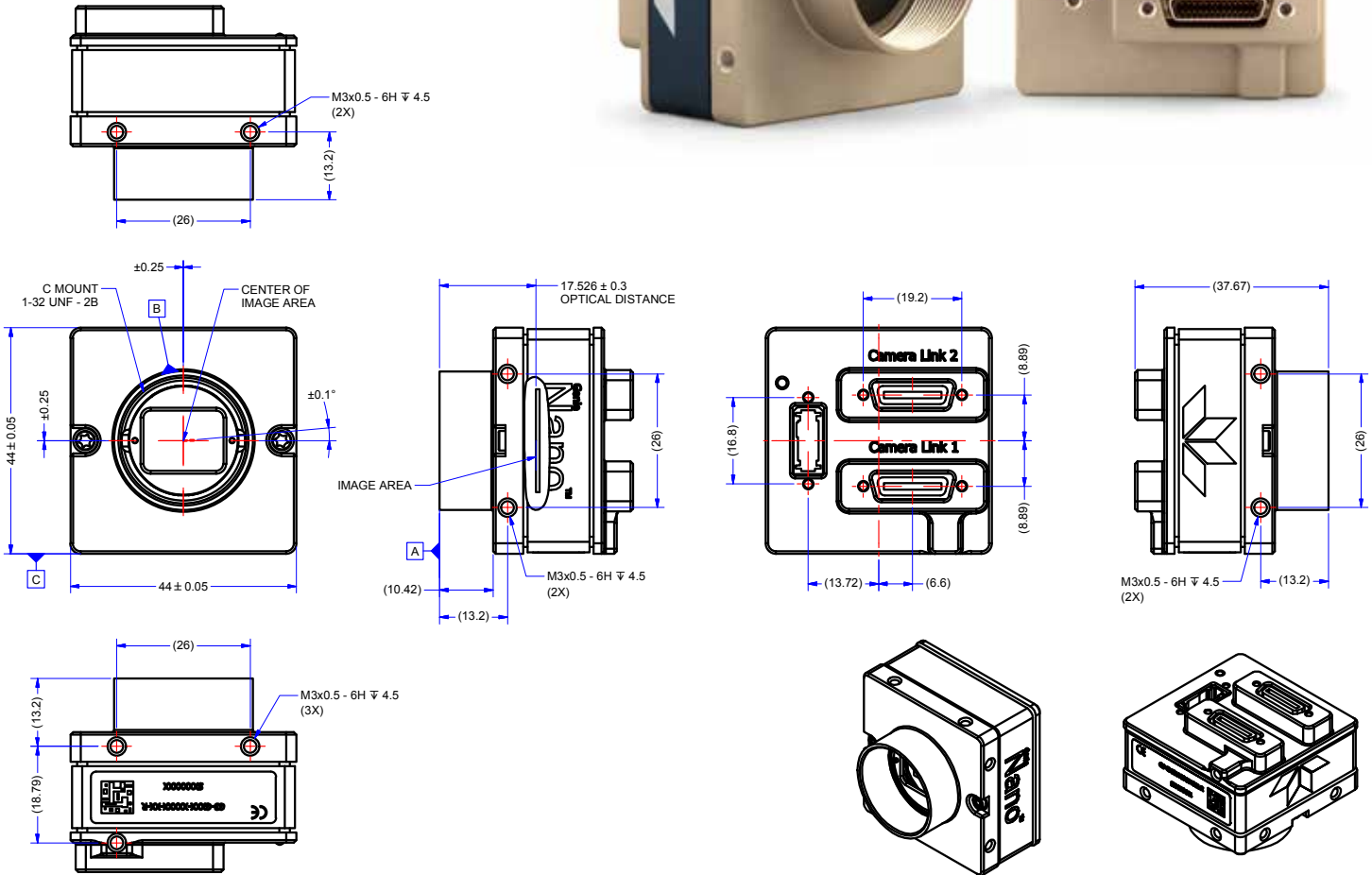


C4060 C4040 C2450



Genie™ Nano-CL Specifications

For Model 5.1M to 12M only



NOTES:
 1. UNITS: MILLIMETERS.
 2. IMAGE AREA IS ALIGNED TO DATUMS A, B & C.

www.teledynedalsa.com

Americas
 Boston, USA
 +1 978-670-2000
 sales.americas@teledynedalsa.com

Europe
 Krailling, Germany
 +49 89-89-54-57-3-80
 sales.europe@teledynedalsa.com

Asia Pacific
 Tokyo, Japan
 +81 3-5960-6353
 sales.asia@teledynedalsa.com

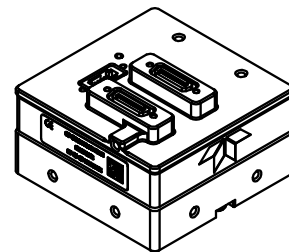
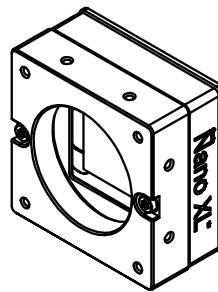
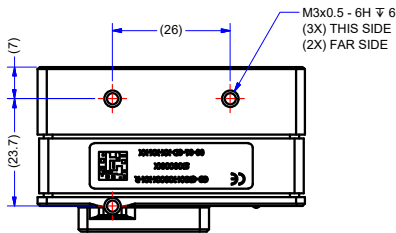
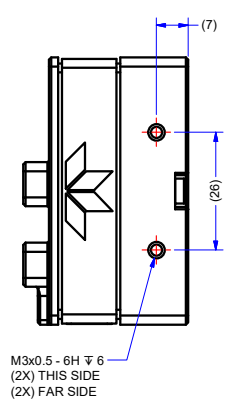
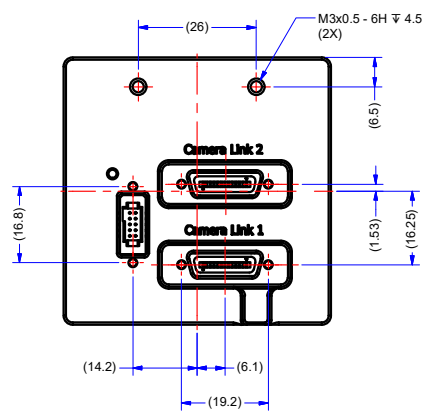
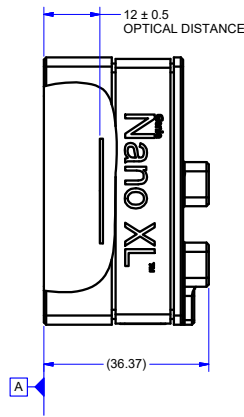
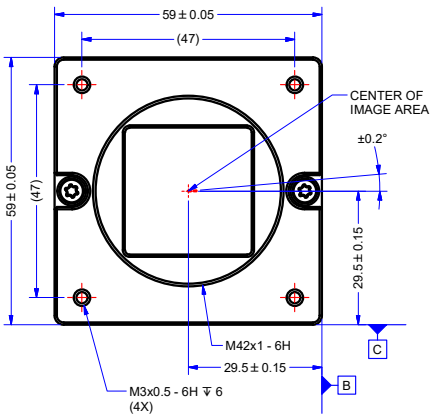
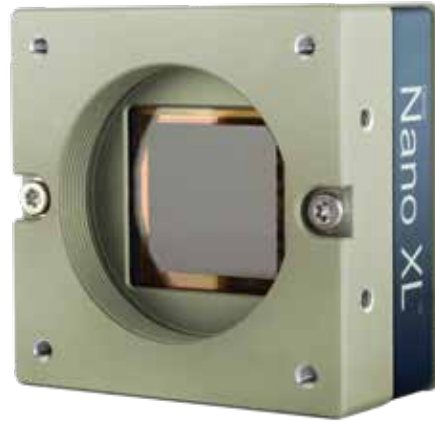
Shanghai, China
 +86 21-3368-0027
 sales.asia@teledynedalsa.com

Teledyne DALSA has its corporate offices in Waterloo, Canada
 Teledyne DALSA reserves the right to make changes at any time without notice. Teledyne DALSA © 2018 | V1



Genie™ Nano-CL XL Specifications

For Model 16M to 25M only



NOTES:
 1. UNITS: MILLIMETERS.
 2. IMAGE AREA IS ALIGNED TO DATUMS A, B & C.

www.teledynedalsa.com

Americas
 Boston, USA
 +1 978-670-2000
 sales.americas@teledynedalsa.com

Europe
 Krailling, Germany
 +49 89-89-54-57-3-80
 sales.europe@teledynedalsa.com

Asia Pacific
 Tokyo, Japan
 +81 3-5960-6353
 sales.asia@teledynedalsa.com

Shanghai, China
 +86 21-3368-0027
 sales.asia@teledynedalsa.com

Teledyne DALSA has its corporate offices in Waterloo, Canada
 Teledyne DALSA reserves the right to make changes at any time without notice. Teledyne DALSA © 2018 | V1





Versatile camera series featuring Pregius® and Python® sensors

www.teledynedalsa.com

Americas

Boston, USA
+1 978-670-2000
sales.americas@teledynedalsa.com

Europe

Krailling, Germany
+49 89-89-54-57-3-80
sales.europe@teledynedalsa.com

Asia Pacific

Tokyo, Japan
+81 3-5960-6353
sales.asia@teledynedalsa.com

Shanghai, China
+86 21-3368-0027
sales.asia@teledynedalsa.com

Teledyne DALSA has its corporate offices in Waterloo, Canada
Teledyne DALSA reserves the right to make changes at any time without notice. Teledyne DALSA © 2018 | V1

